

LEGEND
—— ESTIMATED SHORELINE AND CHANNEL
- - - - ACCESS ROAD

ESTIMATED SHORELINE
EXCAVATED APPROACH CHANNEL (ALT 1 & 2)
SHEET PILE BARRIER
CHANNEL ACCESS
EXCAVATION FOR ALT 3
M&T FISH SCREENS
M&T PUMP STATION
CHANNEL ACCESS
BIG CHICO CREEK

SCALE
1" = 500'

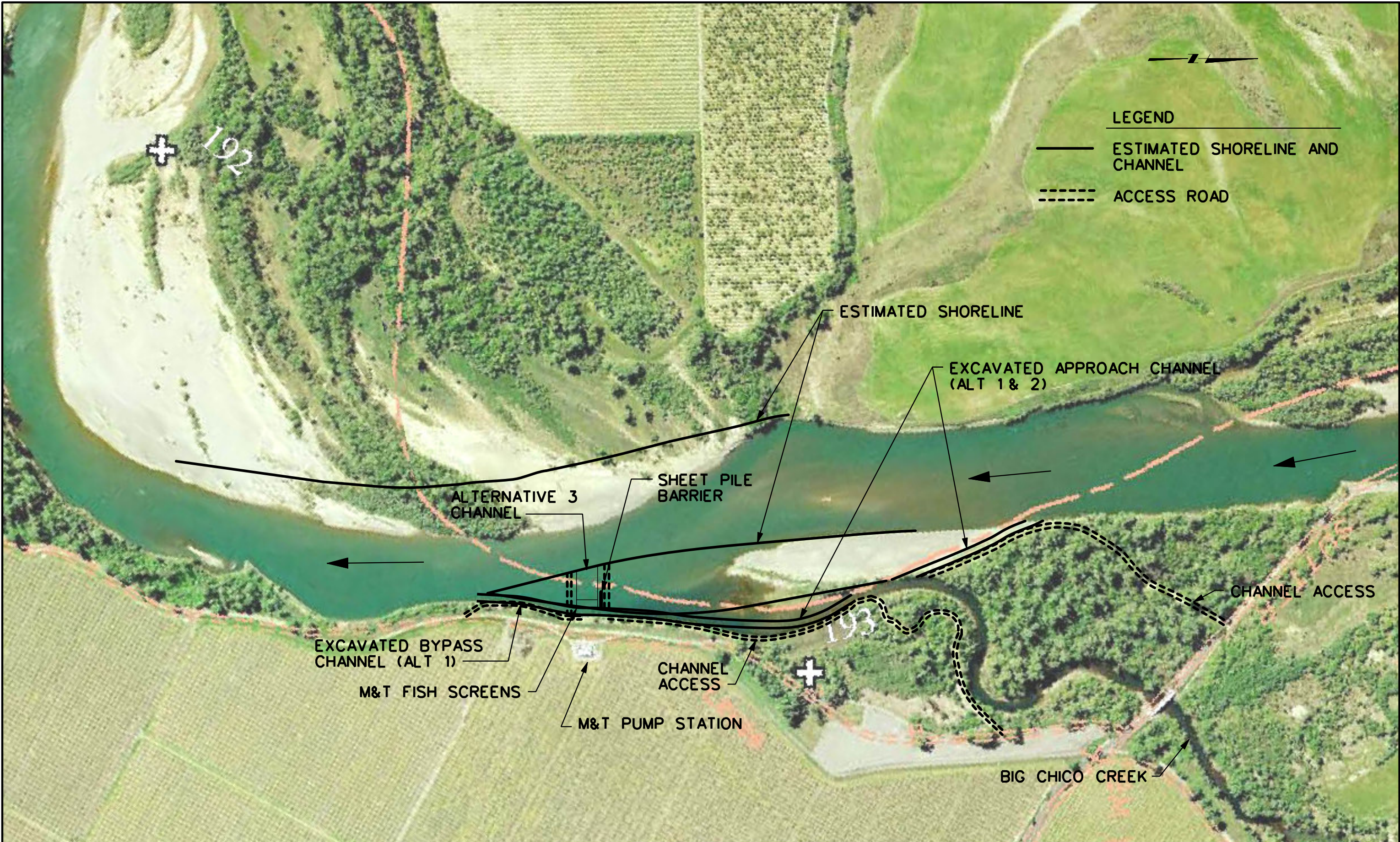


MWH
Sacramento
California

DUCKS UNLIMITED
M&T RANCH INTAKE REVIEW
DATA SOURCE: 2004 AERIAL PHOTO

M&T RANCH INTAKE
DREDGING ALTERNATIVES
2010 CONDITIONS

FIGURE
1
1511399.031804



LEGEND

- ESTIMATED SHORELINE AND CHANNEL
- ACCESS ROAD

SCALE
1"=500'

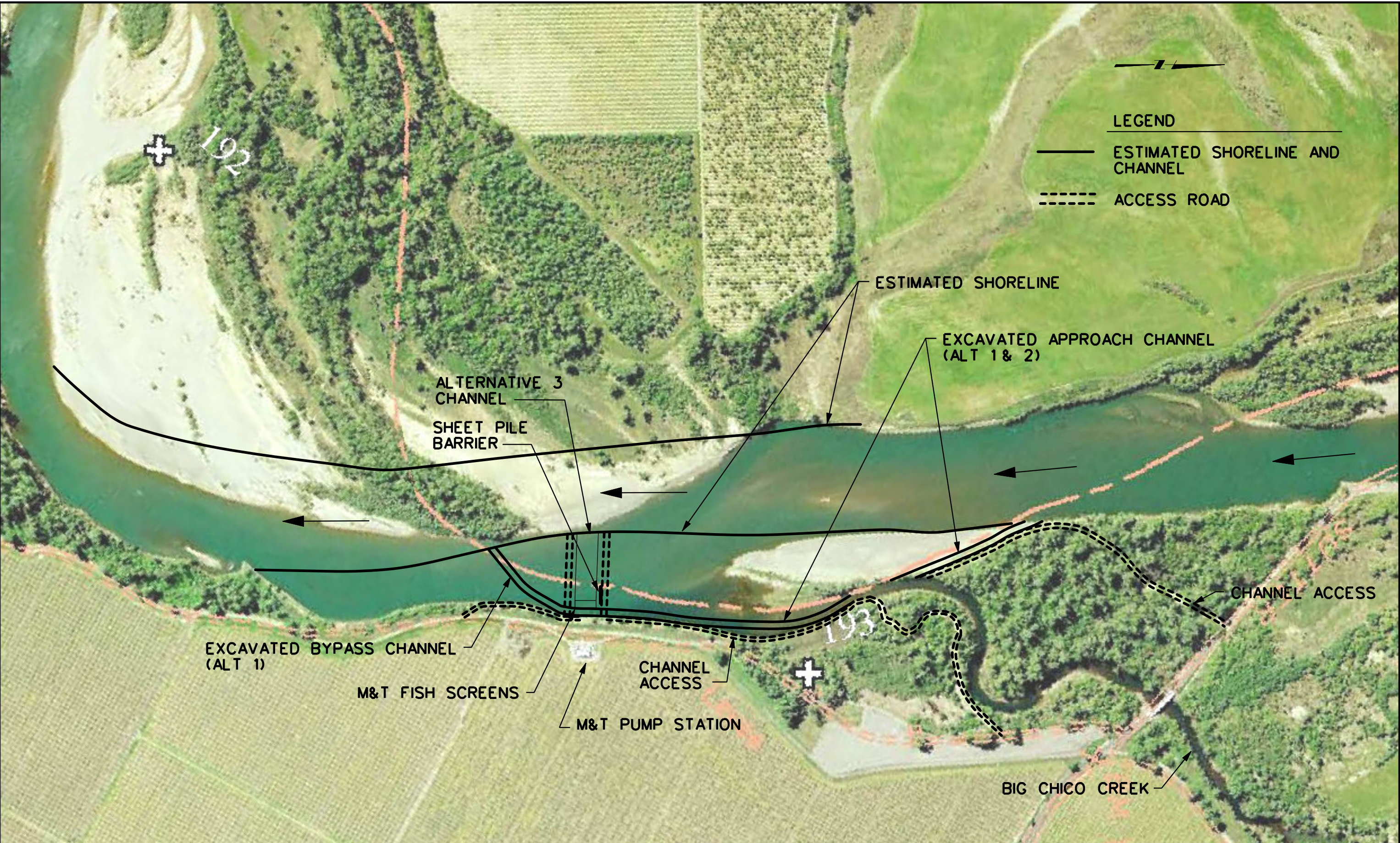


DUCKS UNLIMITED
M&T RANCH INTAKE REVIEW
DATA SOURCE: 2004 AERIAL PHOTO

M&T RANCH INTAKE
DREDGING ALTERNATIVES
2020 ASSUMED CONDITIONS

FIGURE
2
1511399.031804

Plot Date: 4/21/2006 2:34:00 PM
User: jeschulz
File: jimsNewDrawing_3.dgn Model: paper space DesignScript: MWH_Mstr_Pentable_V85.tbl PlotScale: 1:0000' / IN.



SCALE
1"=500'

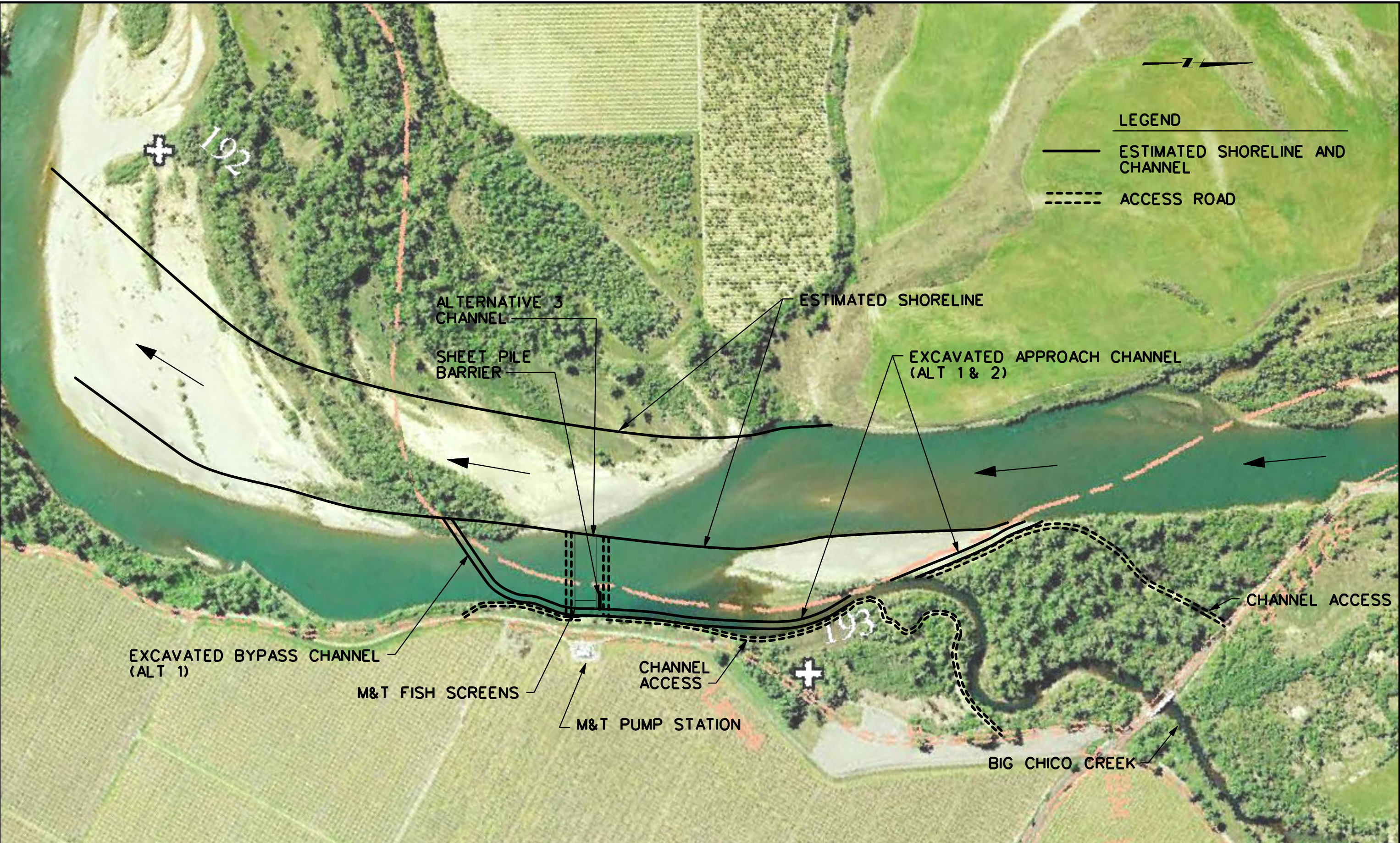


DUCKS UNLIMITED
M&T RANCH INTAKE REVIEW
DATA SOURCE: 2004 AERIAL PHOTO

M&T RANCH INTAKE
DREDGING ALTERNATIVES
2030 ASSUMED CONDITIONS

FIGURE
3
1511399.031804


Plot Date: 4/21/2006 2:34:36 PM
User: jeschulz
File: jimsNewDrawing_4.dgn Model: paper space DesignScript: MWH_Mstr_Pentable_V85.tbl PlotScale: 1:0000 1/4" = 1'

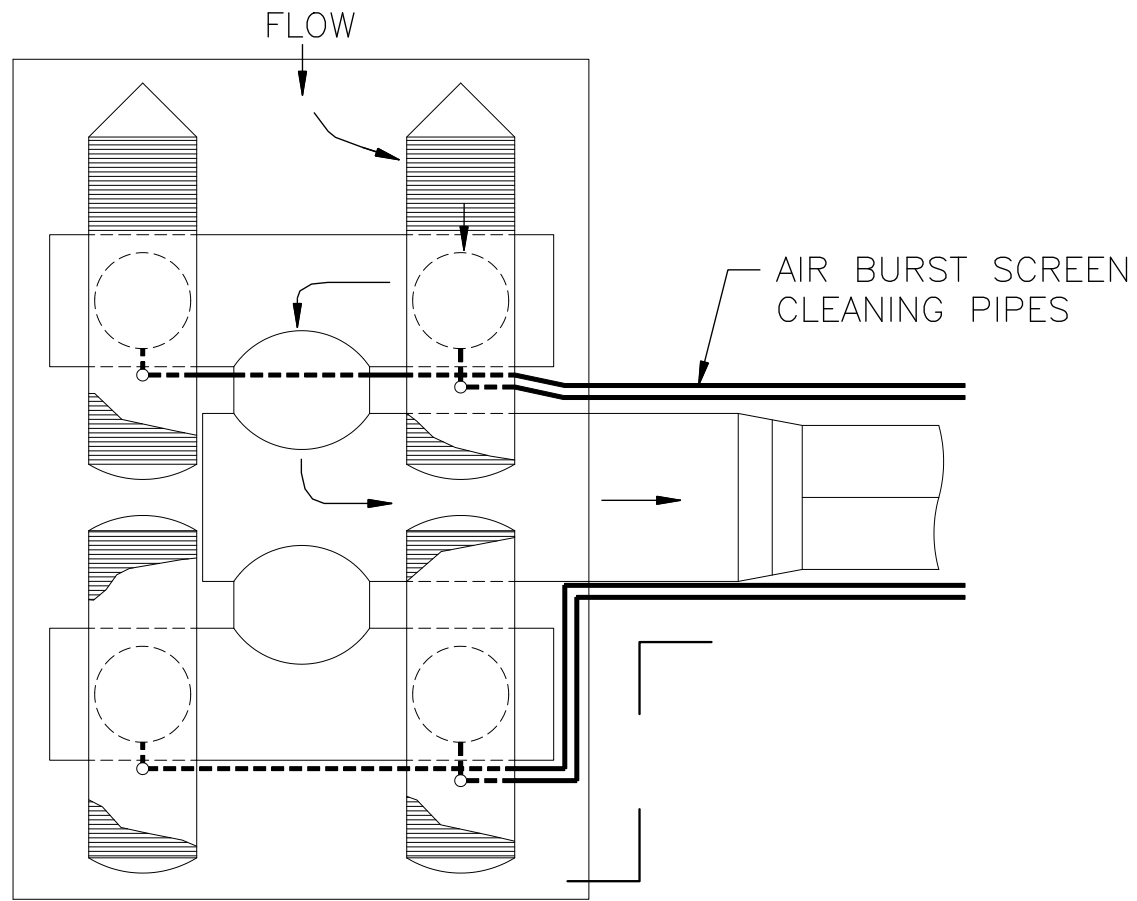


LEGEND

- ESTIMATED SHORELINE AND CHANNEL
- ACCESS ROAD

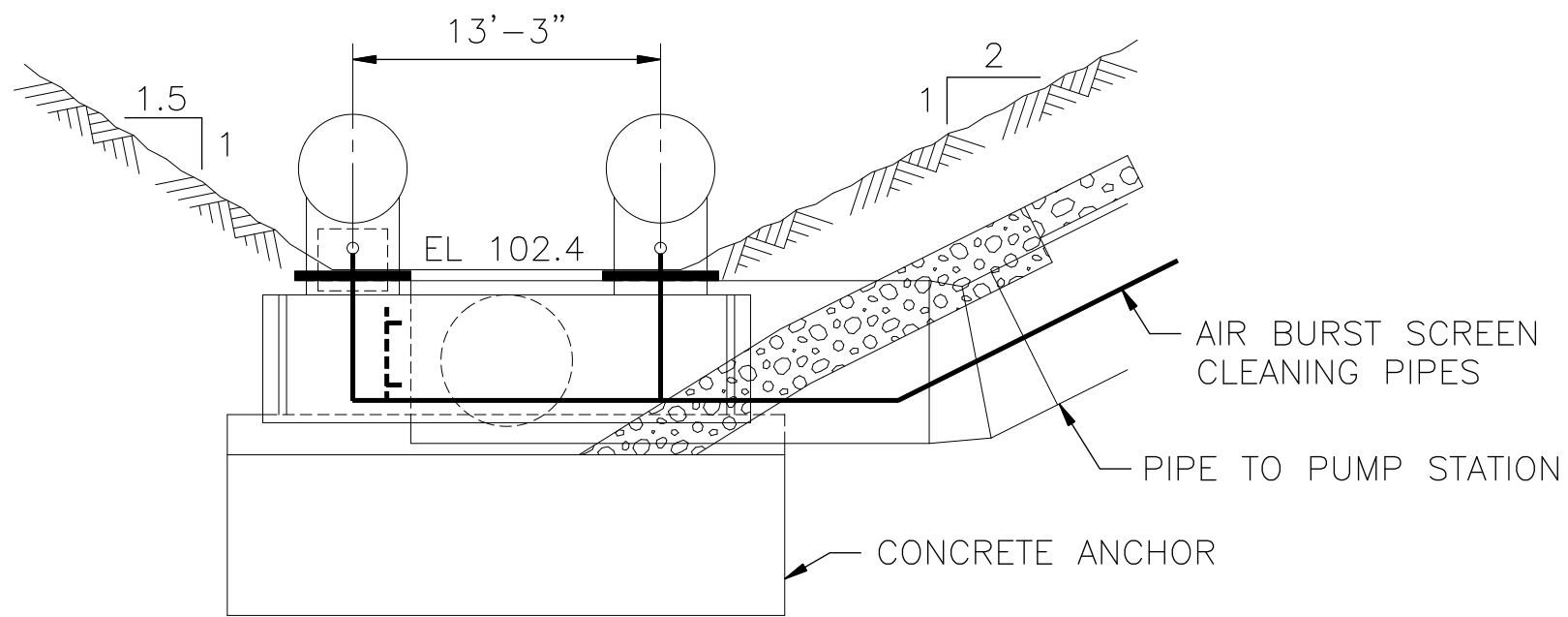
ALTERNATIVE 3 CHANNEL
SHEET PILE BARRIER
ESTIMATED SHORELINE
EXCAVATED APPROACH CHANNEL (ALT 1 & 2)
EXCAVATED BYPASS CHANNEL (ALT 1)
M&T FISH SCREENS
M&T PUMP STATION
CHANNEL ACCESS
CHANNEL ACCESS
BIG CHICO CREEK

SCALE 1" = 500'	 MWH Sacramento California	DUCKS UNLIMITED M&T RANCH INTAKE REVIEW DATA SOURCE: 2004 AERIAL PHOTO	M&T RANCH INTAKE DREDGING ALTERNATIVES 2040 ASSUMED CONDITIONS	FIGURE 4 1511399.031804
--------------------	---	--	--	--------------------------------------



1
-

PLAN



SECTION

1
-

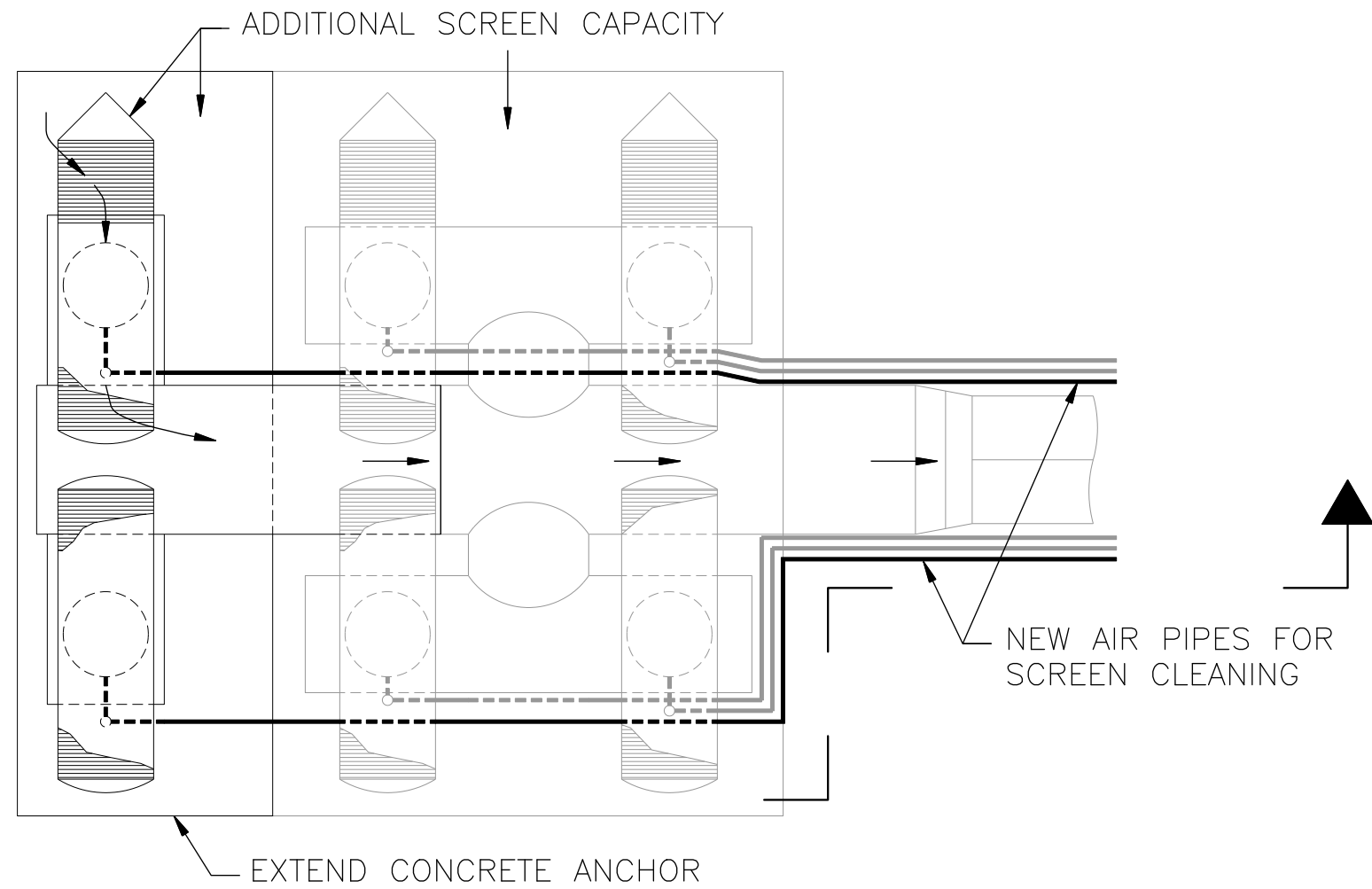
SCALE
1/8"=1'-0"



DUCKS UNLIMITED
M&T RANCH INTAKE REVIEW
DATA SOURCE: 2004 AERIAL PHOTO

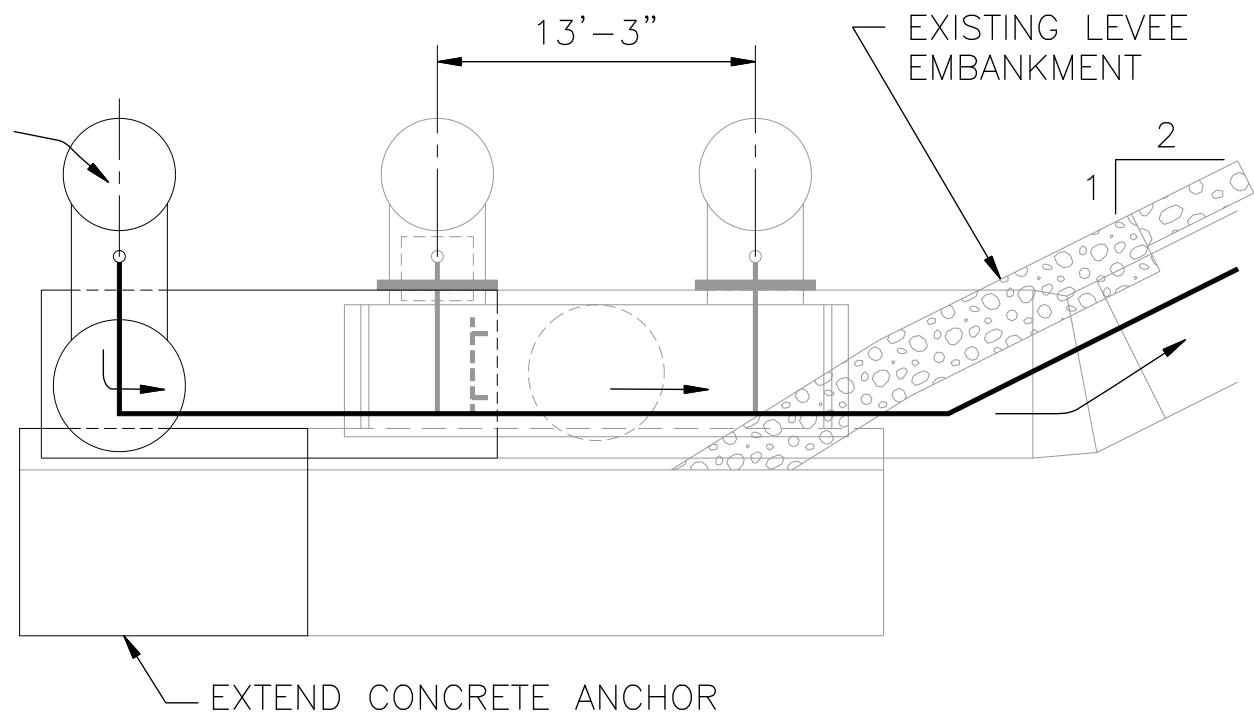
M&T RANCH INTAKE
DREDGING ALTERNATIVES
ALT 1- SECTION THROUGH EXISTING SCREENS

FIGURE
5




1
-

PLAN



SECTION

<p>SCALE</p> <p>1/8"=1'-0"</p>	 <p>MWH</p> <p>Sacramento California</p>	<p>DUCKS UNLIMITED</p> <p>M&T RANCH INTAKE REVIEW</p> <p>DATA SOURCE: 2004 AERIAL PHOTO</p>	<p>M&T RANCH INTAKE</p> <p>DREDGING ALTERNATIVES</p> <p>ALT 2- FISH SCREEN EXPANSION</p>	<p>FIGURE</p> <p>6</p> <p>511399.031804</p>
--------------------------------	--	---	--	--